

由于我们在不断努力改进产品，我们保留样本数据更改的权利，敬请谅解。

As we are constantly endeavouring to improve the performance of our equipment,

The company reserves the right to make alteration from time to time and equipment differ from that detailed in this brochure.

神武®
shen wu



IS型单级单吸离心泵

IS MODEL SINGLE-STAGE SINGLE-SUCTION CENTRIFUGAL PUMP

郑州市神龙泵业有限公司

ZHENGZHOU SHENLONG SUBMERSIBLE PUMP CO.,LTD

电话: 0086-371-55356761/0086-371-55356762

网址: <http://www.hnshenwu.com>

郑州市神龙泵业有限公司

ZHENGZHOU SHENLONG SUBMERSIBLE PUMP CO.,LTD

目录 CONTENTS

概述、性能范围、型号意义	1
Outline, Performance range, Model meaning	
结构说明	2
About of construction	
结构简图、型谱图	3
Construction drawing, Atlas of style	
性能参数表	4
Performance table	
进出口法兰尺寸图表	11
In-outlet flange dimension drawing and table	
外形及安装尺寸图表	12
Out-form and installation dimension drawing and table	
水泵装配与拆卸	18
Pump assembly and disassembly	
水泵安装	18
Pump installation	
水泵起、停止与运转	19
Pump start, stop and running	
故障原因及排除方法	20
Failures causes and troubleshooting	
管路损耗参考表	21
Reference table for pipeline loss	

概述 Outline

IS型泵系单级单吸(轴向吸入)离心泵,是全国联合设计的节能泵,它是BA型、B型及其它单级清水离心泵的更新型。优点有:全系列水力性能布局合理,用户选择范围宽,检修方便;效率和吸程达到国际先进水平。本型泵适用于工业和城市给水、排水,也可用于农业排灌及供输 清水或物理化学性质类似于清水的其它液体之用,温度不高于80℃。

IS series single-stage end-suction (axial intake) centrifugal pump is an energy-saving pump designed by teamwork in the whole nation, it is improved on a basis on model BA, B and other single-stage water centrifugal pump. The advantages: its hydraulic capability is distributed reasonably, wide option for user, conveniently check and repair, the efficiency and throw is up to advanced international level. This pump is suitable for industrial and city water supply, water drainage, and widely used for agricultural irrigation, transportation pure water or other liquids whihc physical and chemical nature is similar to pure water, and the temperature should not be higher than 80℃.

性能范围 Performance range

转 速: 2900r/min和1450r/min;

Speed: 2900RPM and 1450RPM;

进口直径: 50~200mm;

Suction: 50~200mm;

流 量: 6.3~400m³/h;

Flow/Capacity: 6.3~400m³/h;

扬 程: 5~125m.

Head: 5~125m.

型号意义 Model meaning



结构说明 About of construction

1、IS型泵系根据国际标准ISO2858所规定的性能和尺寸设计的，主要由泵体、泵盖、叶轮、轴、密封环、轴套及悬架轴承部件等组成。

2、IS型泵的泵体和泵盖的部分，是从叶轮背面处剖分的，即通常所说的后开门结构形式。其优点是检修方便，检修时不动泵体，吸入管路，排出管路和电动机，只需拆下加长联轴器的中心联接件，即可退出转子部件进行检修。

3、泵的壳体(即泵体和泵盖)构成泵的工作室。叶轮、轴和滚动轴承等为泵的转子。悬架轴承部件支撑着泵的转子部件，滚动轴承承受泵的径向力和轴向力。

4、为了平衡泵的轴向力，大多数泵的叶轮前、后均设有密封环，并在叶轮后盖板上设有平衡孔，由于有些泵轴向力不大，叶轮背面未设密封环和平衡孔。

5、泵的轴向密封环是由填料压盖，填料环和填料等组成，以防止进气或大量漏水。泵的叶轮如有平衡，则装有软填料的空腔与叶轮吸入口相通，若叶轮入口处液体处于真空状态，则很容易沿着轴套表面进气，故在填料腔内装有填料环通过泵盖上的小孔，将泵室内压力水引至填料环进行密封。泵的叶轮如没有平衡孔，由于叶轮背面液体压力大于大气压，因而不存在漏气问题，故可不装填料环。

6、为避免轴磨损，在轴通过填料腔的部位装有轴套保护。轴套与轴之间装有O形密封圈，以防止沿着配合表面进气或漏水。

7、泵的传动方式是通过加长弹性联轴器与电动机联结的。泵的旋转方向，从驱动端看，为顺时针方向旋转。

1. IS series single-stage end-suction centrifugal pump is designed according to the capability and size stipulated in the international Standard ISO2858, it is composed of pump body, pump cover, impeller, shaft, ring seal, sleeve and suspended bearing units.

2. The pump body and pump cover in IS series are separated from the back of impeller, that is to say in general, back open structure, whose advantages: convenient overhaul, when checking and repairing, the pump body intake pimp, discharge pipe and motor need not to move, just disassembly the middle connector of extended coupling to quit therotor units for overhaul.

3. The pump shell (that is pump body and pump cover) forms the workroom of pump. Impeller, shaft and rolling bearing are the rotors for the pump. Suspended bearing units support the rotors in the pump. The rolling bearing stands the radial load and axial force.

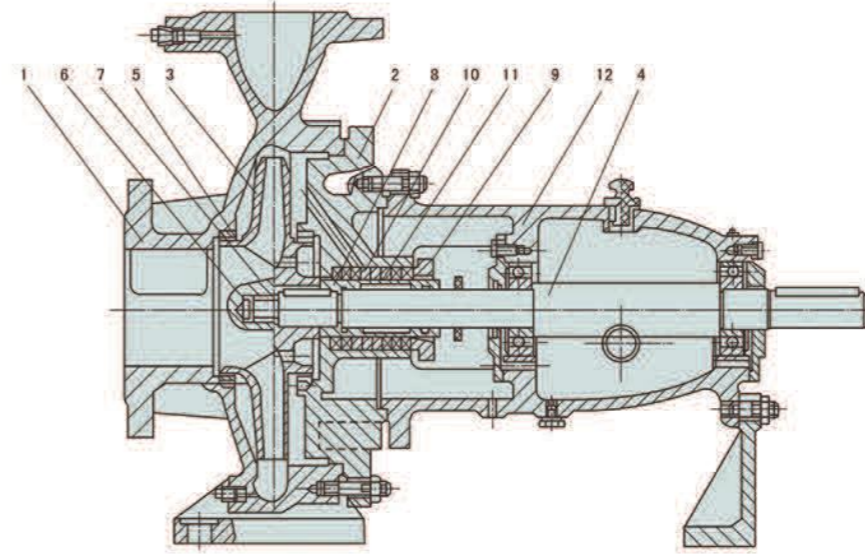
4. In order to balance the axial force of the pump, most of the pumps are designed with sealing rings at the front and back of impellers and a balance hole on the rear impeller cap plate. The reverse of impeller is not designed with sealing rings or balance holes if pump axial force is not powerful.

5. The axial sealing ring of the pump is composed of packing gland, packing rings and packing to avoid air admission or severe water leakage. For the impeller with balance hole, the empty chamber with soft packing is straight through with the impeller inlet. If the liquid in the impeller inlet is in vacuum state, the air will enter along the surface of muff easily. Therefore, the packing chamber is fitted with packing ring, which has the seal function when pressure water inside the chamber is led to it through a small hole in the pump cover. For the impeller without balance hole, the packing ring may be neglected in virtue of no existence of air leakage because the impeller back hydraulic pressure is larger than atmosphere one.

6. To avoid abrasion of shaft, the part where the shaft runs through packing chamber is fitted with protective muff. O ring is fitted between muff and shaft to protect against air entering or water leaking along the matching surface.

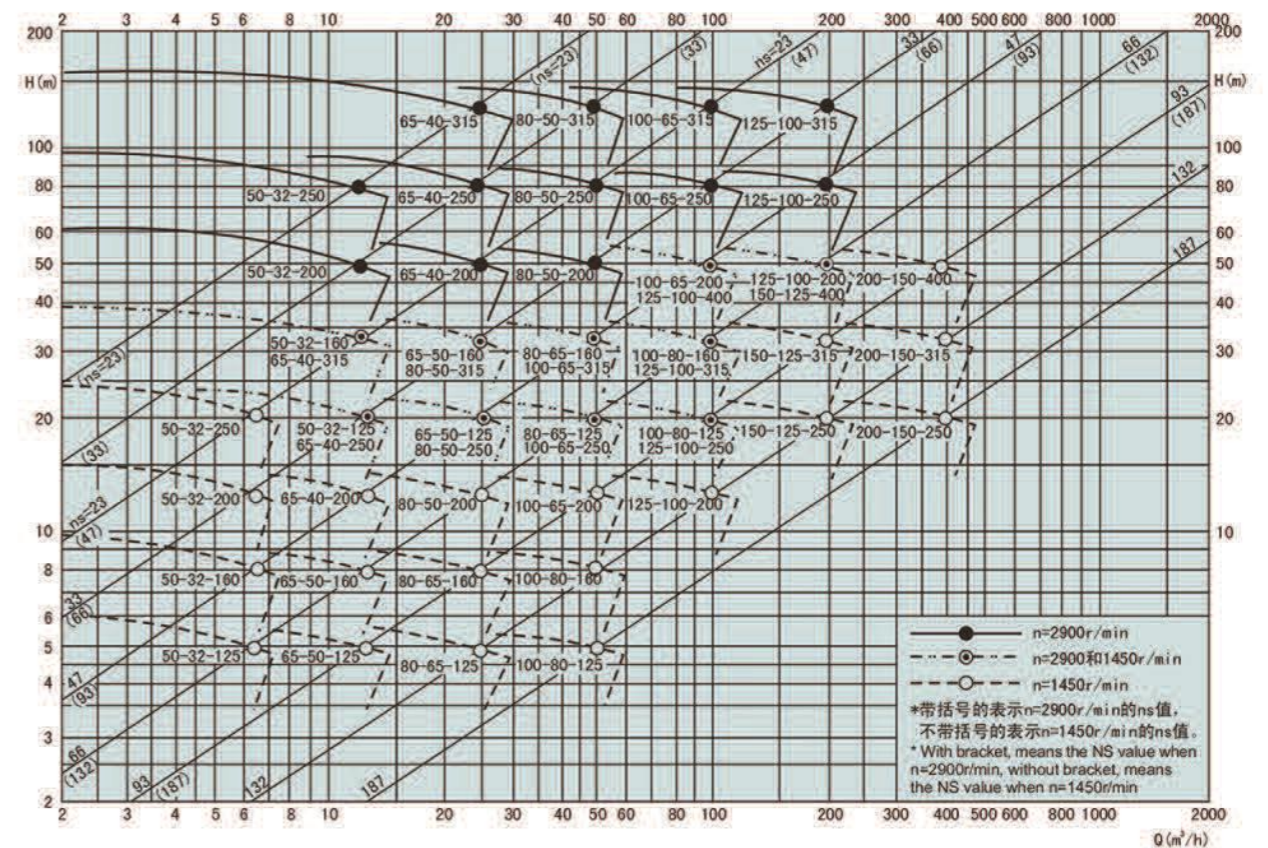
7. The pump is connected to motor with extending flexible coupling. The pump turns clockwise when you look from the driving end.

结构简图 Construction drawing



1	泵体 Pump casing
2	泵盖 Pump cover
3	叶轮 Impeller
4	轴 Shaft
5	密封环 Sealing ring
6	叶轮螺母 Impeller nut
7	止动垫圈 Lock washer
8	轴套 Muff
9	填料压盖 Packing gland
10	填料环 Packing ring
11	填料 Packing
12	悬架轴承部件 Pendant bearing assembly

型谱图 Atlas of style



性能参数表 Performance table

型号 Model	流量 Capacity		扬程 Head (m)	转速 Speed (r/min)	功率 Power (kW)		效率 Eff. (%)	叶轮名义直径 Impeller diameter (mm)	汽蚀余量 (NPSH)r (m)
	(m³/h)	(L/s)			轴功率 Shaft	电机功率 Motor power			
IS50-32-125	7.5	2.08	22	2900	0.96	2.2	47	130	2.0
	12.5	3.47	20		60		2.0		
	15	4.17	18.5		60		2.5		
IS50-32-125B	11.2	3.1	16	2900	0.84	1.5	58	116	2.0
IS50-32-160	7.5	2.08	34.3	2900	1.59	3	44	158	2.0
	12.5	3.47	32		54		2.0		
	15	4.17	29.6		56		2.5		
IS50-32-160A	11.7	3.3	28	2900	1.71	3	53	148	2.0
IS50-32-160B	10.8	3	24	2900	1.41	2.2	50	137	2.0
IS50-32-200	7.5	2.08	52.5	2900	2.82	5.5	38	198	2.0
	12.5	3.47	50		48		2.0		
	15	4.17	48		51		2.5		
IS50-32-200B	11.7	3.3	44	2900	3.16	4	45	186	2.0
IS50-32-200C	10.8	3	38	2900	2.60	4	43	173	2.0
IS50-32-250	7.5	2.08	82	2900	5.87	11	28.5	250	2.0
	12.5	3.47	80		38		2.0		
	15	4.17	78.5		41		2.5		
IS50-32-250A	11.7	3.3	70	2900	6.47	11	35	234	2.0
IS50-32-250B	10.8	3	60	2900	5.51	7.5	36	217	2.0
IS65-50-125	15	4.17	21.8	2900	1.54	3	58	130	2.0
	25	6.94	20		69		2.5		
	30	8.33	18.5		68		3.0		
IS65-50-125A	22.4	6.2	16	2900	1.47	3	66	116	2.0
IS65-50-160	15	4.17	35	2900	2.65	5.5	54	165	2.0
	25	6.94	32		65		2.0		
	30	8.33	30		66		2.5		
IS65-50-160A	23.4	6.5	28	2900	2.83	4	63	154	2.0
IS65-50-160B	21.7	6	24	2900	2.35	4	60	143	2.0
IS65-40-200	15	4.17	53	2900	4.42	7.5	49	200	2.0
	25	6.94	50		60		2.0		
	30	8.33	47		61		2.5		
IS65-40-200A	23.4	6.5	44	2900	4.92	7.5	57	188	2.0
IS65-40-200B	21.8	6.1	38	2900	4.13	5.5	55	175	2.0
IS65-40-250	15	4.17	82	2900	9.05	15	37	254	2.0
	25	6.94	80		50		2.0		
	30	8.33	78		53		2.5		
IS65-40-250A	23.4	6.5	70	2900	9.10	15/13	49	238	2.0

性能参数表 Performance table

型号 Model	流量 Capacity		扬程 Head (m)	转速 Speed (r/min)	功率 Power (kW)		效率 Eff. (%)	叶轮名义直径 Impeller diameter (mm)	汽蚀余量 (NPSH)r (m)
	(m³/h)	(L/s)			轴功率 Shaft	电机功率 Motor power			
IS65-40-250B	21.7	6	60	2900	7.51	11	47	220	2.0
IS65-40-315	15	4.17	127	2900	18.5	30	28	315	2.5
	25	6.94	125		50		2.5		
	30	8.33	123		44		3.0		
IS65-40-315A	23.9	6.6	114	2900	19.41	22	38	301	2.5
IS65-40-315A	22.7	6.3	103	2900	17.19	22	37	286	2.5
IS65-40-315B	21.4	5.9	92	2900	15.20	18.5	35	270	2.5
IS80-65-125	30	8.33	22.5	2900	2.87	5.5	64	137	3.0
	50	13.9	20		75		3.0		
	60	16.7	18		74		3.5		
IS80-65-125A	44.7	12.4	16	2900	2.66	5.5	73	125	3.0
IS80-65-160	30	8.33	36	2900	4.82	7.5	61	168	2.5
	50	13.9	32		73		2.5		
	60	16.7	29		72		3.0		
IS80-65-160A	46.8	13	28	2900	5.10	7.5	70	157	2.5
IS80-65-160B	43.3	12	24	2900	4.15	5.5	68	146	2.5
IS80-50-200	30	8.33	53	2900	7.87	15	55	202	2.5
	50	13.9	50		69		2.5		
	60	16.7	47		71		3.0		
IS80-50-200A	46.8	13	44	2900	8.37	11	67	190	2.5
IS80-50-200B	43.6	12.1	38	2900	6.83	11	66	176	2.5
IS80-50-250	30	8.33	84	2900	13.2	22	52	252	2.5
	50	13.9	80		63		2.5		
	60	16.7	75		64		3.0		
IS80-50-250A	46.8	13	70	2900	14.87	22	60	238	2.5
IS80-50-250B	43.3	13	60	2900	13.18	18.5	58	218	2.5
IS80-50-315	30	8.33	128	2900	25.5	37	41	315	2.5
	50	13.9	125		54		2.5		
	60	16.7	123		57		3.0		
IS80-50-315A	47.8	13.3	108	2900	27.55	37	51	301	2.5
IS80-50-315B	45.4	12.6	103	2900	25.97	30	49	286	2.5
IS80-50-315C	42.9	11.9	92	2900	22.84	30	47	270	2.5
IS100-80-125	60	16.7	24	2900	5.86	11	67	140	4.0
	100	27.8	20		78		4.5		
	120	33.3	16.5		74		5.0		
IS100-80-125B	89.4	24.8	16	2900	5.19	7.5	70	125	4.5

性能参数表 Performance table

型号 Model	流量 Capacity		扬程 Head (m)	转速 Speed (r/min)	功率 Power (kW)		效率 Eff. (%)	叶轮名义直径 Impeller diameter (mm)	汽蚀余量 (NPSH)r (m)
	(m ³ /h)	(L/s)			轴功率 Shaft	电机功率 Motor power			
IS100-80-160	60	16.7	36	2900	8.42	15	70	170	3.5
	100	27.8	32		78		4.0		
	120	33.3	28		75		5.0		
IS100-80-160A	93.5	26	28	2900	9.52	15	75	159	4.0
IS100-80-160B	86.6	24.1	24	2900	7.77	11	73	147	4.0
IS100-65-200	60	16.7	54	2900	13.6	22	65	203	3.0
	100	27.8	50		76		3.6		
	120	33.3	47		77		4.8		
IS100-65-200A	93.8	26.1	44	2900	15.01	22	75	190	3.6
IS100-65-200B	87.2	24.2	38	2900	12.52	18.5	72	177	3.6
IS100-65-250	60	16.7	87	2900	23.4	37	61	255	3.5
	100	27.8	80		72		3.8		
	120	33.3	74.5		73		4.8		
IS100-65-250A	93.5	26	70	2900	25.49	37	70	239	3.8
IS100-65-250B	86.6	24.1	60	2900	20.85	30	68	221	3.8
IS100-65-315	60	16.7	133	2900	39.6	75	55	315	3.0
	100	27.8	125		66		3.6		
	120	33.3	118		67		4.2		
IS100-65-315A	95.5	26.5	109	2900	44.2	55	64	301	3.6
IS100-65-315B	90.8	25.2	95	2900	37.87	45	62	286	3.6
IS100-65-315C	85.8	23.8	92	2900	35.78	37	60	271	3.6
IS125-100-200	120	33.3	57.5	2900	28.0	45	67	216	4.5
	200	55.5	50		81		4.5		
	240	66.7	44.5		80		5.0		
IS125-100-200A	187	52	44	2900	28.76	37	78	203	4.5
IS125-100-200B	174.4	48.4	38	2900	23.73	30	76	188	4.5
IS125-100-250	120	33.3	87	2900	43.0	75	66	255	3.8
	200	55.6	80		78		4.2		
	240	66.7	72		75		5.0		
IS125-100-250A	187	52	70	2900	46.96	75	76	239	4.2
IS125-100-250B	173.2	48.1	60	2900	38.24	55	74	221	4.2
IS125-100-315	120	33.3	132.5	2900	72.1	110	60	317	5.0
	200	55.6	125		75		4.5		
	240	66.7	120		77		4.0		
IS125-100-315A	191	53.1	114	2900	81.30	110	73	303	4.5
IS125-100-315B	181.5	50.4	103	2900	71.68	90	71	288	4.5

性能参数表 Performance table

型号 Model	流量 Capacity		扬程 Head (m)	转速 Speed (r/min)	功率 Power (kW)		效率 Eff. (%)	叶轮名义直径 Impeller diameter (mm)	汽蚀余量 (NPSH)r (m)
	(m ³ /h)	(L/s)			轴功率 Shaft	电机功率 Motor power			
IS125-100-315C	171.6	47.7	92	2900	62.35	75	69	272	4.2
IS50-32-125	3.75	1.04	5.4	1450	0.13	0.55	43	130	2.0
	6.3	1.74	5.0		54		2.0		
	7.5	2.08	4.6		55		2.5		
IS50-32-125A	5.6	1.6	4	1450	0.12	0.55	53	116	2.0
IS50-32-160	3.75	1.04	5.4	1450	0.13	0.55	43	158	2.0
	6.3	1.74	5.0		54		2.0		
	7.5	2.08	4.6		55		2.5		
IS50-32-160A	5.8	1.6	4.6	1450	0.15	0.55	46	148	2.0
IS50-32-160B	5.4	1.5	4.1	1450	0.14	0.55	43	137	2.0
IS50-32-200	3.75	1.04	13.1	1450	0.41	0.75	33	198	2.0
	6.3	1.74	12.5		42		2.0		
	7.5	2.08	12		44		2.5		
IS50-32-200A	5.8	1.6	11	1450	0.43	0.75	40	186	2.0
IS50-32-200B	5.4	1.5	9.5	1450	0.37	0.55	38	173	2.0
IS50-32-250	3.75	1.04	20.5	1450	0.91	1.5	23	250	2.0
	6.3	1.74	20		32		2.0		
	7.5	2.08	19.5		35		2.5		
IS50-32-250A	5.8	1.6	17.5	1450	0.92	1.5	30	234	2.0
IS50-32-250B	5.4	1.5	15	1450	0.85	1.5	26	217	2.0
IS65-50-125	7.5	2.08	5.35	1450	0.21	0.55	53	130	2.0
	12.5	3.47	5.0		64		2.0		
	15	4.17	4.7		65		2.5		
IS65-50-125A	11.2	3.1	4	1450	0.20	0.55	62	116	2.0
IS65-50-160	7.5	2.08	8.8	1450	0.36	0.75	50	165	2.0
	12.5	3.47	8.0		60		2.0		
	15	4.17	7.2		60		2.5		
IS65-50-160A	11.7	3.3	7	1450	0.39	0.75	58	154	2.0
IS65-50-160B	10.8	3	6	1450	0.32	0.55	56	143	2.0
IS65-40-200	7.5	2.08	13.2	1450	0.63	1.1	43	200	2.0
	12.5	3.47	12.5		55		2.0		
	15	4.17	11.8		57		2.5		
IS65-40-200A	11.7	3.3	11	1450	0.70	1.1	51	188	2.0
IS65-40-200C	10.8	3	9.5	1450	0.58	0.75	48	175	2.0
IS65-40-250	7.5	2.08	21	1450	1.23	2.2	35	254	2.0
	12.5	3.47	20		46		2.0		
	15	4.17	19.4		48		2.5		

性能参数表 Performance table

型号 Model	流量 Capacity		扬程 Head (m)	转速 Speed (r/min)	功率 Power (kW)		效率 Eff. (%)	叶轮名义直径 Impeller diameter (mm)	汽蚀余量 (NPSH)r (m)
	(m ³ /h)	(L/s)			轴功率 Shaft	电机功率 Motor power			
IS65-40-250A	11.7	3.25	17.5	1450	1.23	2.2	46	238	2.0
IS65-40-250B	10.8	3	15	1450	1.00	1.5	44	220	2.0
IS65-40-315	7.5	2.08	32.3	1450	2.63	4	25	315	2.5
	12.5	3.47	32.0		37		2.5		
	15	4.17	31.7		41		3.0		
IS65-40-315A	11.9	3.3	28.5	1450	2.63	4	35	301	2.5
IS65-40-315B	11.3	3.2	25.8	1450	2.38	3	34	286	2.5
IS65-40-315C	10.7	3	23	1450	2.11	3	32	270	2.5
IS80-65-125	15	4.17	5.6	1450	0.42	0.75	55	137	2.5
	25	6.94	5		71		2.5		
	30	8.33	4.5		72		3.0		
IS80-65-125A	22.4	6.2	4	1450	0.35	0.75	69	125	2.5
IS80-65-160	15	4.17	9	1450	0.67	1.5	55	168	2.5
	25	6.94	8		69		2.5		
	30	8.33	7.2		68		3.0		
IS80-65-160A	23.4	6.5	7	1450	0.68	1.1	66	157	2.5
IS80-65-160B	21.7	6	6	1450	0.55	1.1	64	146	2.5
IS80-50-200	15	4.17	13.2	1450	1.06	2.2	51	202	2.5
	25	6.94	12.5		65		2.5		
	30	8.33	11.8		67		3.0		
IS80-50-200A	23.4	6.5	11	1450	1.10	1.5	64	190	2.5
IS80-50-200B	21.8	6.1	9.5	1450	0.90	1.5	63	176	2.5
IS80-50-250	15	4.17	21	1450	1.75	3	49	252	2.5
	25	6.94	20		60		2.5		
	30	8.33	18.8		61		3.0		
IS80-50-250A	23.4	6.5	17.5	1450	1.96	3	57	238	2.5
IS80-50-250B	21.7	6	15	1450	1.60	2.2	55	218	2.5
IS80-50-315	15	4.17	32.5	1450	3.4	5.5	39	315	2.5
	25	6.94	32		52		2.5		
	30	8.33	31.5		56		3.0		
IS80-50-315A	23.9	6.6	28.5	1450	3.76	5.5	49	301	2.5
IS80-50-315B	22.7	6.3	25.8	1450	3.46	4	46	286	2.5
IS80-50-315C	21.4	6	23	1450	3.07	4	44	270	2.5
IS100-80-125	30	8.33	6	1450	0.77	1.5	64	140	2.5
	50	13.9	5		75		2.5		
	60	16.7	4		71		3.0		

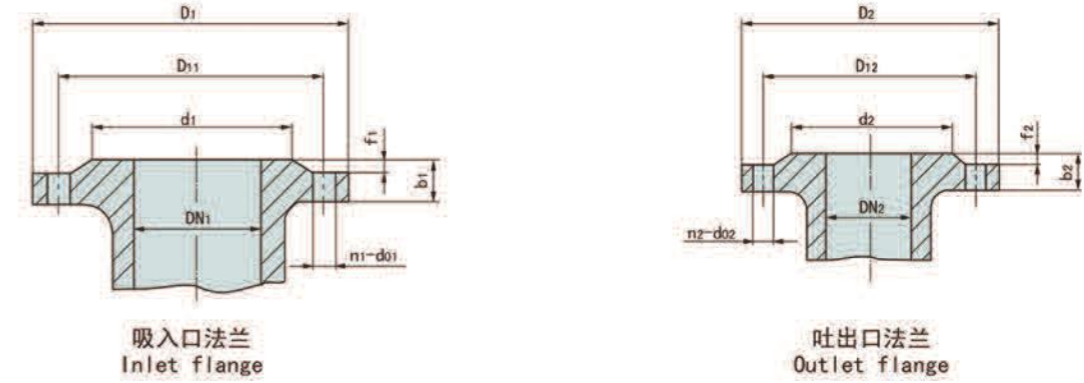
性能参数表 Performance table

型号 Model	流量 Capacity		扬程 Head (m)	转速 Speed (r/min)	功率 Power (kW)		效率 Eff. (%)	叶轮名义直径 Impeller diameter (mm)	汽蚀余量 (NPSH)r (m)
	(m ³ /h)	(L/s)			轴功率 Shaft	电机功率 Motor power			
IS100-80-125B	44.7	12.4	4	1450	0.68	1.1	66	125	2.5
IS100-80-160	30	8.33	9.2	1450	1.12	2.2	67	170	2.0
	50	13.9	8.0		75		2.5		
	60	16.7	6.8		71		3.5		
IS100-80-160A	46.8	13	7	1450	1.24	2.2	72	159	2.5
IS100-80-160B	43.3	12	6	1450	1.01	1.5	70	147	2.5
IS100-65-200	30	8.33	13.5	1450	1.84	4	60	203	2.0
	50	13.9	12.5		73		2.0		
	60	16.7	11.8		74		2.5		
IS100-65-200A	46.9	13	11	1450	1.95	3	72	190	2.0
IS100-65-200B	43.6	12.1	9.5	1450	1.63	3	69	177	2.0
IS100-65-250	30	8.33	21.3	1450	3.16	5.5	55	255	2.0
	50	13.9	20		68		2.0		
	60	16.7	19		70		2.5		
IS100-65-250A	46.8	13	17.5	1450	3.38	5.5	66	239	2.0
IS100-65-250B	43.3	12	15	1450	2.76	4	64	221	2.0
IS100-65-315	30	8.33	34	1450	5.44	11	51	315	2.0
	50	13.9	32		63		2.0		
	60	16.7	30		64		2.5		
IS100-65-315A	47.7	13.3	28.5	1450	6.09	11	61	301	2.0
IS100-65-315B	45.4	12.6	25.8	1450	5.40	7.5	59	286	2.0
IS100-65-315C	42.9	11.9	23	1450	4.71	5.5	57	271	2.0
IS125-100-200	60	16.7	14.5	1450	3.83	7.5	62	216	2.5
	100	27.8	12.5		76		2.5		
	120	33.3	11.0		75		3.0		
IS125-100-200A	93.5	26	11	1450	3.84	5.5	73	203	2.5
IS125-100-200B	87.2	24.2	9.5	1450	3.17	5.5	71	188	2.5
IS125-100-250	60	16.7	21.5	1450	5.59	11	63	255	2.5
	100	27.8	20		76		2.5		
	120	33.3	18.5		77		3.0		
IS125-100-250A	93.5	26	17.5	1450	6.03	11	74	239	2.5
IS125-100-250B	86.6	24.1	15	1450	4.92	7.5	72	221	2.5
IS125-100-315	60	16.7	33.5	1450	9.4	15	58	317	2.5
	100	27.8	32		73		2.5		
	120	33.3	30.5		74		3.0		
IS125-100-315A	95.5	26.5	28.5	1450	10.43	15	71	303	2.5

性能参数表 Performance table

型号 Model	流量 Capacity		扬程 Head (m)	转速 Speed (r/min)	功率 Power (kW)		效率 Eff. (%)	叶轮名义直径 Impeller diameter (mm)	汽蚀余量 (NPSH)r (m)
	(m ³ /h)	(L/s)			轴功率 Shaft	电机功率 Motor power			
IS125-100-315B	90.8	25.2	25.8	1450	9.37	15	68	288	2.5
IS125-100-315C	85.8	23.8	23	1450	8.13	11	66	272	2.5
IS125-100-400	60	16.7	52	1450	16.1	30	53	395	2.5
	100	27.8	50		65		2.5		
	120	33.3	48.5		67		3.0		
IS125-100-400A	93.5	26	44	1450	17.8	22	63	371	2.5
IS125-100-400B	86.6	24.1	38	1450	14.96	18.5	63	345	2.5
IS150-125-250	120	33.3	22.5	1450	10.4	18.5	71	260	3.0
	200	55.6	20		81		3.0		
	240	66.7	17.5		78		3.5		
IS150-125-250A	187	52	17.5	1450	11.44	15	78	243	3.0
IS150-125-250B	173	48	15	1450	9.29	15	76	225	3.0
IS150-125-315	120	33.3	34	1450	15.9	30	70	325	2.5
	200	55.6	32		79		2.5		
	240	66.7	29		80		3.0		
IS150-125-315A	187	52	28	1450	18.78	22	76	304	2.5
IS150-125-315B	173	48	24	1450	15.47	18.5	73	282	2.5
IS150-125-400	120	33.3	53	1450	27.9	45	62	400	2.0
	200	55.6	50		75		2.8		
	240	66.7	46		74		3.5		
IS150-125-400A	187	52	44	1450	30.73	45	73	375	2.8
IS150-125-400B	173	48	38	1450	25.19	37	71	348	2.8
IS200-150-250	240	66.7	25	1450	23.7	37	69	375	3.0
	400	111.1	22		82.5		3.5		
	460	127.8	20		82		4.0		
IS200-150-250A	374	104	17.5	1450	22.30	30	80	257	3.4
IS200-150-250B	346	96	15	1450	18.10	30	78	238	4.6
IS200-150-315	240	66.7	37	1450	34.6	55	70	348	3.0
	400	111.1	32		82		3.5		
	460	127.8	28.5		80		4.0		
IS200-150-315A	374	104	28	1450	35.69	45	80	326	3.5
IS200-150-315B	346	96	24	1450	28.96	37	70	301	3.5
IS200-150-400	240	66.7	55	1450	48.6	90	74	395	3.0
	400	111.1	50		81		3.8		
	460	127.8	45		76		4.5		
IS200-150-400A	374	104	44	1450	56.79	75	79	371	3.8
IS200-150-400B	346	96	38	1450	46.45	75	77	342	3.8

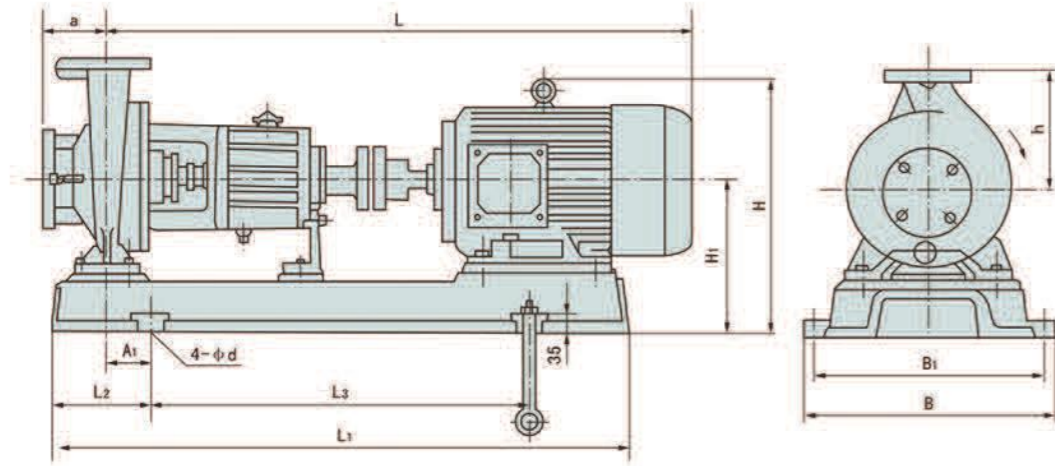
进出口法兰尺寸图 In-outlet flange dimension drawing



进出口法兰尺寸表 In-outlet flange dimension table

型号 Model	吸入口法兰尺寸 Inlet flange dimension							吐出口法兰尺寸 Outlet flange dimension						
	DN1	D1	D11	d1	b1	f1	n1-d01	DN2	D2	d12	d2	b2	f2	n2-d02
IS50-32-125	50	165	125	102	20	3	4-17.5	32	140	100	78	18	2	4-17.5
IS50-32-160	50	165	125	102	20	3	4-17.5	32	140	100	78	18	2	4-17.5
IS50-32-200	50	165	125	102	20	3	4-17.5	32	140	100	78	18	2	4-17.5
IS50-32-250	50	165	125	102	20	3	4-17.5	32	140	100	78	18	2	4-17.5
IS65-50-125	65	185	145	122	20	3	4-17.5	50	165	125	102	20	3	4-17.5
IS65-50-160	65	185	145	122	20	3	4-17.5	50	165	125	102	20	3	4-17.5
IS65-40-200	65	185	145	122	20	3	4-17.5	40	150	110	88	18	3	4-17.5
IS65-40-250	65	185	145	122	20	3	4-17.5	40	150	110	88	18	3	4-17.5
IS65-40-315	65	185	145	122	20	3	4-17.5	40	150	110	88	18	3	4-17.5
IS80-65-125	80	200	160	133	20	3	8-17.5	65	185	145	122	20	3	4-17.5
IS80-65-160	80	200	160	133	20	3	8-17.5	65	185	145	122	20	3	4-17.5
IS80-50-200	80	200	160	133	20	3	8-17.5	50	165	125	102	20	3	4-17.5
IS80-50-250	80	200	160	133	20	3	8-17.5	50	165	125	102	20	3	4-17.5
IS80-50-315	80	200	160	133	20	3	8-17.5	50	165	125	102	20	3	4-17.5
IS100-80-125	100	220	180	158	22	3	8-17.5	80	200	160	133	20	3	8-17.5
IS100-80-160	100	220	180	158	22	3	8-17.5	80	200	160	133	20	3	8-17.5
IS100-65-200	100	220	180	158	22	3	8-17.5	65	185	145	122	20	3	4-17.5
IS100-65-250	100	220	180	158	22	3	8-17.5	65	185	145	122	20	3	4-17.5
IS100-65-315	100	225	180	158	22	3	8-17.5	65	185	145	122	20	3	4-17.5
IS125-100-200	125	250	210	184	22	3	8-17.5	100	220	180	158	22	3	8-17.5
IS125-100-250	125	250	210	184	22	3	8-17.5	100	220	180	158	22	3	8-17.5
IS125-100-315	125	250	210	184	22	3	8-17.5	100	220	180	158	22	3	8-17.5
IS125-100-400	125	250	210	184	22	3	8-17.5	100	220	180	158	22	3	8-17.5
IS150-125-250	150	285	240	212	24	3	8-22	125	250	210	184	22	3	8-17.5
IS150-125-315	150	285	240	212	24	3	8-22	125	250	210	184	22	3	8-17.5
IS150-125-400	150	285	240	212	24	3	8-22	125	250	210	184	22	3	8-17.5
IS200-150-250	200	340	295	268	24	3	12-22	150	285	240	212	24	3	8-22
IS200-150-315	200	340	295	268	24	3	12-22	150	285	240	212	24	3	8-22
IS200-150-400	200	340	295	268	24	3	12-22	150	285	240	212	24	3	8-22

外形及安装尺寸图 Out-form and installation dimension drawing



外形及安装尺寸表 Out-form and installation dimension table

泵 Pump		电机 Motor		L ₁	L ₂	L ₃	A ₁	B ₁	H ₁	a	h	d	H	L	B	总重 Total weight (kg)	
型号 Model	叶轮型式 Impeller type	型号 Model	kw														
IS50-32-125	O	90L-2	2.2	755	170	480	90	350	200	80	140	16	300	800	400	95	
	A	90S-2	1.5	730	150	440	70	320						775	370	90	
	B	802-2	1.1	705										450	750	370	82
IS50-32-125(J)	O	801-4	0.55	705	150	440	70	320	200	80	140	16	450	750	370	83	
	A																
	B																
IS50-32-160	O	100L-2	3	780	170	480	90	350	220	80	160	16	365	845	400	113	
	A	90L-2	2.2	755									800	105			
	B	90S-2	1.5										320	775		102	
IS50-32-160(J)	O	801-4	0.55	705	150	440	70	320	220	80	160	16	310	750	370	92	
	A																
	B																
IS50-32-200	O	132S1-2	5.5	830	190	540	110	400	250	80	180	16	435	940	450	152	
	A	112M-2	4	790	170	450	90	350					405	865	400	131	
	B																
IS50-32-200(J)	O	802-4	0.75	705	150	440	70	320	250	80	180	16	340	750	370	97	
	A																
	B																
IS50-32-250	O	160M1-2	11	1075	220	660	130	490	270	100	225	20	495	1200	540	256	
	A	132S2-2	7.5	965	205	600	115	440					16	455	1075	490	205
	B	132S1-2	5.5	965	205	600	115	440					16	455	1075	490	199

外形及安装尺寸表 Out-form and installation dimension table

泵 Pump		电机 Motor		L ₁	L ₂	L ₃	A ₁	B ₁	H ₁	a	h	d	H	L	B	总重 Total weight (kg)	
型号 Model	叶轮型式 Impeller type	型号 Model	kw														
IS50-32-250(J)	O	90L-4	1.5	885	185	540	95	400	270	100	225	16	370	935	450	158	
	A																
	B																
IS65-50-125	O	100L-2	3	780	170	480	90	350	200	80	112	16	345	845	400	113	
	A	90L-2	2.2	755									300	800		103	
	B																
IS65-50-125(J)	O	801-4	0.55	705	150	440	70	320	200	80	112	16	290	750	370	91	
	A																
	B																
IS65-50-160	O	132S1-2	5.5	830	170	480	90	350	220	80	160	16	405	940	400	148	
	A	112M-2	4	790									375	865		130	
	B	100L-2	3	780									365	845		117	
IS65-50-160(J)	O	802-4	0.75	705	170	440	70	320	220	80	160	16	310	750	370	96	
	A																
	B																
IS65-40-200	O	132S2-2	7.5	830	185	540	110	400	250	100	180	16	435	1075	450	170	
	A																
	B																
IS65-40-200(J)	O	90S-4	1.1	755	170	480	90	350	250	100	180	16	360	910	400	119	
	A																
	B																
IS65-40-250	O	160M2-2	15	1075	220	660	130	490	270	100	225	20	495	1200	540	278	
	A	(160M2-2)	13														290
	B	160H1-2	11														270
IS65-40-250(J)	O	100L1-4	2.2	910	185	540	95	400	270	100	225	16	395	980	450	178	
	A																
	B																
IS65-40-315	O	200L1-2	30	1200	245	740	155	550	290	125	250	20	565	1400	600	417	
	A	180M-2	22	1135	540	1295	365										
	B	160L-2	18.5	1300	515	1270	540	320									
IS65-40-315(J)	O	112M-2	4	915	200	600	115	440	290	125	250	16	445	1025	490	212	
	A																
	B																
IS80-65-125	O	132S1-2	5.5	830	190	540	110	400	220	100	160	16	405	960	490	138	
	A																
	B																
IS80-65-125	O	100L-2	3	780	170	480	90	350	220	100	160	16	375	885	490	124	
	A																
	B																

外形及安装尺寸表 Out-form and installation dimension table

泵 Pump		电机 Motor		L1	L2	L3	A1	B1	H1	a	h	d	H	L	B	总重 Total weight (kg)
型号 Model	叶轮型式 Impeller type	型号 Model	kw													
IS80-65-125(J)	O	802-4	0.75	705	150	440	70	320	220	100	160	16	290	770	370	84
	A	801-4	0.55													
	B															
	C															
IS80-65-160	O	132S2-2	7.5	830	185	540	110	400	250	100	180	16	435	960	450	155
	A	132S1-2	5.5													
	B															
	C															
IS80-65-160(J)	O	90L-4	1.5	755	170	480	90	350	250	100	180	16	350	795	400	108
	A	90S-4	1.1													
	B	802-4	0.75													
	C															
IS80-50-200	O	160M2-2	15	955	210	600	130	440	250	100	200	16	475	1085	490	230
	A	160M1-2	11													
	B	132S2-2	7.5													
	C															
IS80-50-200(J)	O	100L1-4	2.2	780	170	480	90	350	250	100	200	16	365	865	400	120
	A	90L-4	1.5													
	B	90S-4	1.1													
	C															
IS80-50-250	O	180M-2	22	1135	220	660	130	490	270	100	225	20	520	1270	540	335
	A	160L-2	18.5													
	B	(160L1-2)	17													
	C	160M2-2	15													
		(160M2-2)	13													
IS80-50-250(J)	O	100L2-4	3	910	185	540	95	400	270	100	225	16	395	980	450	175
	A	100L1-4	2.2													
	B															
	C															
IS80-50-315	O	200L2-2	37	1200	245	740	155	550	315	125	280	20	590	1400	600	430
	A	200L2-2	30													
	B	180M-2	22													
	C	180M-2	22													
IS80-50-315(J)	O	132S-4	5.5	965	205	600	115	440	315	125	280	16	500	1100	490	235
	A	112M-4	4													
	B															
		C														
IS100-80-125	O	160M1-2	11	955	205	600	115	440	250	125	180	16	475	1085	490	210
	A	132S2-2	7.5													
	B	132S1-2	15													
	C	132S1-2	15													
IS100-80-125(J)	O	90L-4	1.5	765	165	480	75	350	250	100	180	16	350	820	400	111
	A	90S-4	1.1													
	B															
	C															
IS100-80-160	O	160M2-2	15	1075	220	660	130	490	250	100	200	20	475	1200	540	250
	A	(160M2-2)	13													
	B	160M1-2	11													
	C															

外形及安装尺寸表 Out-form and installation dimension table

泵 Pump		电机 Motor		L1	L2	L3	A1	B1	H1	a	h	d	H	L	B	总重 Total weight (kg)
型号 Model	叶轮型式 Impeller type	型号 Model	kw													
IS100-80-160(J)	O	100L1-4	2.2	910	185	540	95	400	250	100	200	16	395	980	450	150
	A	90L-4	1.5													
	B															
	C															
IS100-65-200	O	180M-2	22	1135	220	660	130	490	270	100	225	20	520	1270	540	335
	A	160L-2	18.5													
	B	(160L1-2)	17													
	C	160M2-2	15													
IS100-65-200(J)	O	112M-4	4	915	200	600	115	440	270	100	225	16	425	1000	490	181
	A	100L2-4	3													
	B	100L1-4	2.2													
	C															
IS100-65-250	O	200L2-2	37	1215	245	740	140	550	290	125	250	20	565	1400	590	440
	A	(200L2-2)	33													
	B	200L1-2	30													
	C	(180L-2)	25													
IS100-65-250(J)	O	132S-4	5.5	1015	210	600	100	440	290	125	250	16	475	1100	490	231
	A	112M-4	4													
	B															
	C															
IS100-65-315	O	280S-2	75	1505	325	940	210	670	390	125	280	20	750	1655	720	824
	A	250M-2	55													
	B	225M-2	45													
	C	200L2-2	37													
IS100-65-315(J)	O	160M-4	11	1125	225	660	115	490	315	125	280	20	540	1255	540	353
	A	132M-4	7.5													
	B	132S-4	5.5													
	C															
IS125-80-160	Z	200L1-2	30	1200	245	740	155	550	290	125	225	20	585	1410	600	386
	O	180M-2	22													
	A	160L-2	18.5													
	B	160M-2	15													
IS125-80-160(J)	Z	112M-4	4	915	205	600	115	440	270	125	225	16	425	1035	490	174
	O	100L2-4	3													
	A	100L1-4	2.2													
	B															
IS125-80-200	Z	225M-2	45	1270	260	740	140	550	315	125	250	20	640	1450	590	500
	O	200L2-2	37													
	A	2000L1-2	30													
	B	180M-2	22													
IS125-80-200(J)	Z	132S-4	5.5	1015	205	600	100	440	290	125	250	16	500	1110	490	230
	O	112M-4	4													
	A	100L2-4	3													
	B	100L1-4	2.2													
IS125-80-250	Z	280S-2	75	1505	325	940	210	670	390	125	280	20	750	1635	820	775
	O	250M-2	55													
	A	225M-2	45													
	B	200L2-2	37													

外形及安装尺寸表 Out-form and installation dimension table

泵 Pump		电机 Motor		L1	L2	L3	A1	B1	H1	a	h	d	H	L	B	总重 Total weight (kg)					
型号 Model	叶轮型式 Impeller type	型号 Model	kw																		
IS125-80-250(J)	Z	160M-4	11	1125	220	660	115	490	315	125	280	20	540	1225	540	315					
	O	132M-4	7.5	1055									1150	260							
	A	132S-4	5.5	1055									1110	245							
	B																				
IS125-80-315	Z	315S-2	110	1600	325	940	210	670	415	125	315	20	975	1855	720	1290					
	O	280M-2	90	1505									1715	910							
	A	280S-2	75	1505									1665	815							
	B																				
	C	(250M-2)	60	1385									295	840		180	600	385	685	1600	650
IS125-80-315(J)	Z	160L-4	15	1125	220	660	115	490	340	125	315	20	565	1310	540	390					
	O	160M-4	11										1055	1265		370					
	A																				
	B	132M-4	7.5										1055	525		1180	315				
IS125-80-400	Z	200L-4	30	1260	245	740	140	550	370	125	355	20	645	1440	590	575					
	O	180L-4	22	1230									1375	500							
	A	180M-4	18.5	1230									1335	490							
	B	160L-4	15	1180									600	1310		450					
IS125-100-200	O	225M-2	45	1270	260	740	140	550	335	125	280	20	640	1440	590	500					
	A	200L2-2	37	1215	245								565	1440		435					
	B	200L1-2	30	1215	245								565	1440		420					
	C	(180L-2)	25	1195	220								660	115		490	540	1335	540	370	
IS125-100-200(J)	O	132M-4	7.5	1015	210	600	100	440	290	125	280	16	1140	490	490	227					
	A	132S-4	5.5										940			1100	214				
	B	112M-4	4										940			1025	200				
	C																				
IS125-100-250	O	280S-2	75	1505	325	940	210	670	390	140	280	20	750	1690	820	817					
	A	(250M2-2)	60	1385	295	840	180	600	360				685	1620	650	676					
	B	250M-2	55	1295													335	640	1505	560	
	C	(225M2-2)	50	1295	335	640	1505	560													
	C	(200L4-2)	40	1260	250	740	140	550	315				590	1465	600	530					
IS125-100-250(J)	O	160M-4	11	1125	225	660	115	490	315	140	280	20	540	1290	540	346					
	A	132M-4	7.5	1055									1205	292							
	B																				
	C	132S-4	5.5	1055									1165	279							
IS125-100-315	O	315S-2	110	1540	325	940	210	670	425	140	315	20	975	1870	720	1290					
	A	(280M2-2)	100	1505									1820	935							
	B	280M-2	90	1505									1680	920							
	C	(280S2-2)	80	1505									1680	845							
IS125-100-315(J)	O	160L-4	15	1180	220	660	115	490	340	140	315	20	565	1325	540	410					
	A	(160M2-4)	13	1125									1280	540							
	B	160L-4	15	1180									250	740			140	550	540	1280	540
	C	(160M2-4)	13	1125									220	660			115	490	540	1280	540
IS125-100-400	O	200L-4	30	1285	290	840	160	600	390	140	355	20	665	1455	650	700					
	A	180L-4	22	1245									1390	530							
	B	180M-4	18.5	1245									1350	522							
	C	160L-4	15	1215									615	1325		490					

外形及安装尺寸表 Out-form and installation dimension table

泵 Pump		电机 Motor		L1	L2	L3	A1	B1	H1	a	h	d	H	L	B	总重 Total weight (kg)					
型号 Model	叶轮型式 Impeller type	型号 Model	kw																		
IS150-125-250	O	180M-4	18.5	1225	250	740	140	550	340	140	355	20	590	1350	600	435					
	A	160L-4	15	1180									565	1325		400					
	B	(160M2-4)	13	1015									210	600		130	440	540	1280	590	380
	C	160M-4	11																		
IS150-125-315	O	200L-4	30	1285	290	840	160	600	300	140	355	20	665	1455	650	605					
	A	180L-4	22	1245									1390	525							
	B	180M-4	18.5	1245									1350	517							
	C	160L-4	15	1215									615	1325		486					
IS150-125-400	O	225M-4	45	1345	290	840	160	600	425	140	400	20	730	1545	650	640					
	A	(200L4-4)	40	1285									685	1475							
	B	225S-4	37	1345									730	1520			610				
	C	(200L2-4)	33	1285									685	1475			600				
	C	200L-4	30	1285									640	1410			600				
IS200-150-250	O	225S-4	37	1320	290	840	160	600	390	160	375	20	695	1500	650	635					
	A	200L-4	30	1285									665	1455		625					
	B	(180L2-4)	25	1245									640	1390		545					
	C	180L-4	22	1245									640	1390		545					
IS200-150-315	O	250M-4	55	1555	320	940	190	670	425	160	400	20	750	1750	730	825					
	A	225M-4	45	1495									730	1665		730					
	B	225S-4	37	1495									730	1640		690					
	C	200L-4	30	1430									700	1595		685					
IS200-150-400	O	280M-4	90	1665	320	940	190	670	425	160	450	20	785	1890	730	1110					
	A	280S-4	75	1665									785	1840		1050					
	B	(250M2-4)	60	1555									750	1770		865					
	C	250M-4	55	1555									730	1685		865					
	C	(225M2-4)	50	1495									730	1685		865					

注：1、“电机型号”栏中带括号的是YDX型低谐波绕组三相异步电动机，不带括号的是通用的Y系列电机。

2、“叶轮型式”栏中的“O”表示未经切割叶轮外径的泵。

3、“总重”栏中的数据是泵、电机、联轴器、底座组成的机组重量，不包括阀门和地脚螺栓。

4、地脚螺栓规格是M12 300或M16 300。

5、IS50-32-125、IS50-32-160、IS50-32-200和IS50-32-250四种泵的出口接管长100mm。

Note: 1. That with a bracket in the column of "model of motor" means model YDX low harmonic winding three-phase asynchronous motor and that without a bracket means the general Y series motor.

2. "O" in the column of "type of impeller" means the pump with an uncut outer diameter of impeller.

3. The datum in the column of "total weight" means the weight of the unit comprised of pump, motor, clutch and base.

4. The norm of the foot bolt is M12 300 or M16 300.
5. The outlet of IS50-32-125, IS50-32-160, IS50-32-200 and IS50-32-250 four kinds of pump is upon a 100mm pipe length.

水泵装配与拆卸 Pump assembly and disassembly

泵在装配前应首先检查零件有无影响装配的缺陷，并清洗干净，方可进行装配。

1、预先可将各处的连接螺栓、丝堵等分别拧紧在相应的零件上。

2、预先可将O形密封圈、纸垫、毛毡等分别放置在相应的零件上。

3、预先可将密封环和填料、填料环、填料压盖等依次装到泵盖内。

4、将滚动轴承装在轴上，然后装到悬架内，再合了压盖，压紧滚动轴承，并往轴上套上连接螺栓。

5、将轴套装到轴上，再将泵盖装到悬架上，然后再将叶轮、止动垫圈、叶轮螺母等装上并拧紧，最后将上述组件装到泵体内，并拧紧泵体及泵盖上的连接螺栓。

在上述装配过程中，一些小件如平键、挡油盘、挡水圈轴套内O形密封圈等容易遗漏或装错顺序，应特别注意。

泵拆卸顺序基本上可按装配顺序的反向进行。

Before assembly, first check if there is any defect with the parts affecting the assembly and clean them.

1. Screw in the connecting bolts, screw corks on the corresponding parts in advance.

2. Place the O-seal rings, paper pads, felts etc. on the corresponding parts in advance.

3. Put the sealing, packing, packing ring, packing gland etc. in turn into the pump cover.

4. Mount the rolling bearing on the shaft, then mount it into the suspended stand, put on the gland to press the rolling bearing tightly and put the connecting bolt on the shaft.

5. Mount the muff on the shaft, then mount the pump cover on the suspended stand, mount the impeller, thrust cushion, impeller nut etc. on and tighten them. Finally mount the assembly into the pump casing and tighten the connecting bolts on both pump casing and cover.

During the above assembly process, special attention has to be paid to some small parts, such as flat keys, oil baffle disks, the O-seal rings inside of the muff of water baffle, which are easily missed or mounted in a wrong order.

Carry out the reversed order to disassemble the pump.

The installation quality results in an important factor to the pump's movement and duration, therefore installation and correction must be carefully carried out.

I. Installation and correction

1. Clear up grease and filth on the foundation and then place it on the ground.

2. Check the foundation levelness with a leveler and it is allowed to use a wedge iron for leveling.

3. Pour cement into the foundation and foot bolt holes.

4. After the cement is dried, check if both foundation and foot bolt holes are loose, then properly tighten the foot bolts and recheck the levelness.

5. Clean up the foundation's support plane, the planes of pump and motor feet and mount both pump and motor on the foundation.

6. Keep a certain space between the clutches, check if the central lines of both pump and motor shafts are identical and, if not, use a thin pad to adjust it.

The difference between the upper and lower, right and left of the outer circle of the clutch has not to be over 0.1mm, the difference between the maximum and minimum spaces on one periphery of the two clutches' end-face spaces has not to be over 0.3mm.

二、安装说明

1、泵的安装高度，管路的长度、直径、流速应符合计算，力求减少不必要的损失。

2、长距离输时应取较大管径。泵的管路应有自己的支架，不允许管路的重量加在泵上，避免把泵压坏。

3、排出管路如装逆止阀应装在闸阀的外面。

水泵起动、停止与运转 Pump start, stop and running

一、起动

1、应在机泵联接前确定电动机的旋转方向是否正确，泵的转动是否灵活。

2、关闭吐出管路上的闸阀。

3、向泵内灌满水或用真空泵引水。

4、接通电源，当泵达到正常转速后，再逐渐打开吐出管路上的闸阀。并调节到所需要的工况。在吐出管上的闸阀关闭的情况下，泵连续工作的时间不能超过3分钟。

二、停止

1、逐渐关闭吐出管路上的闸阀，切断电源。

2、如环境温度低于0℃，应将泵内水放出，以免冻裂。

3、如长期停止使用，应将泵拆卸清洗上油，包装保管。

三、运转

1、在开车及运转过程中，必须注意观察仪表读数，轴承是否发热，填料是否漏水及泵的振动和杂音等是否正常，如果发现异常情况，应及时处理。

2、轴承温度最高不大于80℃，轴承温度不得超过周围温度40℃。

3、填料正常，漏水应该是少量均匀的。

4、轴承油位应保持在正常位置上，不能过高或过低，过低时应及时补充润滑油。

5、如密封环与叶轮配合部位的间隙磨损过大应更换新的密封环。

II. Installation

1. Have the pump's installation height, the pipeline length and diameter and the flowrate comply with the calculations and try best to reduce unnecessary loss.

2. Use a bigger pipeline diameter for a distance transportation. The pump pipeline should have a stand of its own and do not let the pipeline weight upon the pump to avoid it from pressed damage.

3. Mount the check valve outside of the gate valve on the drain-out pipeline if required to mount it.

I. Start

1. Before linking both pump and motor, make sure the motor moves in the correct direction and the pump moves flexibly.

2. Close the gate valve on the vomit pipeline.

3. Prime water into the pump fully or use a vacuum pump to lead water.

4. Turn on the power. When the pump reaches the normal moving speed, gradually open the gate valve on the vomit pipeline and adjust it to the desired working conditions. The pump is not allowed to continually work over 3 minutes with the gate valve closed.

II. Stop

1. Gradually close the gate valve on the vomit pipeline and cut off the power.

2. Drain out the water inside of the pump to prevent it from getting cracked due to freezing when the ambient temperature is below 0℃.

3. In case of a long time stop, disassemble the pump, clean and lubricate it, the pack and store it.

III. RUNNING

1. During start and running, pay attention to the meter's reading, to the bearing to see if it is heated, to the packing to see if it leaks, to both vibration and noise of the pump to see if they are normal and take on-time process if not.

2. For the bearing temperature, the maximum of it should not be over 80℃ and it should not be over the ambient one by 40℃.

3. The normal leak from the packing should be a little and even.

4. Keep the bearing's oil level at the normal position, without being too high or low, and supplement the lubricating oil on time in case of being too low.

5. Replace the seal ring when the space between the impeller and it becomes bigger due to wear.

水泵安装 Pump installation

泵安装得好坏对泵的运行和寿命有重要影响，所以安装和校正必须仔细进行。

一、安装和校正

1、清除底座上的油腻和污垢，把底座放在地基上。

2、用水平仪检查底座的水平度，允许用找平。

3、用水泥浇灌底座和地脚螺栓孔眼。

4、水泥干涸后应检查底座和地脚螺栓孔眼是否松动，合适后拧紧地脚螺栓，重新检查水平度。

5、清理底座的支持平面、水泵脚及电机脚的平面，并把水泵和电机安装到底座上去。

6、联轴器之间应保持一定的间隙，检查水泵轴与电机轴中心线是否一致，可用薄垫片调整使其同心。

测量联轴器的外圆上下、左右的差别不得超过0.1mm，两联轴器端面间隙一周上最大和最小的间隙差别不得超过0.3mm。

